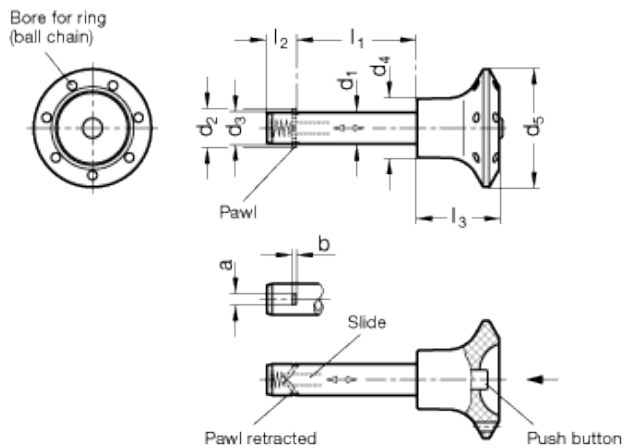


GN 114.3

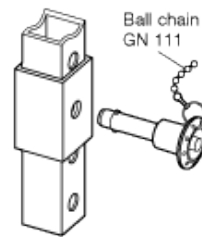
Pins



INOX
Stainless Steel



Example of application



technical informations

Pin
AISI 303 stainless steel.

Pawl

AISI 304 stainless steel.

Spring

AISI 301 stainless steel.

Knob

Plastic, Knob: black-grey colour.

Push button

Plastic, Push button: red colour.

Maximum working temperature

80 °C.

Accessories on request

- Ball chains GN 111.
- Retaining cables GN 111.2.
- Spiral retaining cables GN 111.4.

Features and applications

Pins with axial lock GN 114.3 are used for quick fixing, connecting and locking of various jig and fixture systems. A typical application is location pins which have to be often removed and re-placed again.

The two locking pawls can be retracted by pressing the button and on releasing it the pawls will be locked again.

The rectangular shape of the locking pawls in stainless steel creates a linear contact area which gives an increased axial shear strength.

The load values given in the above table at shear stress are theoretically obtained and indicative only. They are non-binding recommended values and rule out any liability. They constitute no general warranty of quality and condition. The user must determine from case to case whether a product is suitable for the intended use.

Standard Elements	Main dimensions										Double sided shearing force in kN ≈	Weight g
	d1 -0.1	l ₁ +0.4	a	b	d ₂	d ₃	d ₄	d ₅	l ₂	l ₃		
GN 114.3-6-10	6	10	23	0.5	7.5 _{+0.5}	5.9	15	30	7	21	17	10
GN 114.3-6-12	6	12	23	0.5	7.5 _{+0.5}	5.9	15	30	7	21	17	12
GN 114.3-6-16	6	16	23	0.5	7.5 _{+0.5}	5.9	15	30	7	21	17	12
GN 114.3-6-20	6	20	2.3	0.5	7.5 _{+0.5}	5.9	15	30	7	21	17	13
GN 114.3-6-25	6	25	2.3	0.5	7.5 _{+0.5}	5.9	15	30	7	21	17	15
GN 114.3-6-30	6	30	2.3	0.5	7.5 _{+0.5}	5.9	15	30	7	21	17	15
GN 114.3-6-35	6	35	2.3	0.5	7.5 _{+0.5}	5.9	15	30	7	21	17	16
GN 114.3-6-40	6	40	2.3	0.5	7.5 _{+0.5}	5.9	15	30	7	21	17	16
GN 114.3-6-45	6	45	2.3	0.5	7.5 _{+0.5}	5.9	15	30	7	21	17	17
GN 114.3-6-50	6	50	2.3	0.5	7.5 _{+0.5}	5.9	15	30	7	21	17	18
GN 114.3-8-16	8	16	2.8	1	10 _{+0.5}	7.9	15	30	8.4	21	35	17
GN 114.3-8-20	8	20	2.8	1	10 _{+0.5}	7.9	15	30	8.4	21	35	18
GN 114.3-8-25	8	25	2.8	1	10 _{+0.5}	7.9	15	30	8.4	21	35	19
GN 114.3-8-30	8	30	2.8	1	10 _{+0.5}	7.9	15	30	8.4	21	35	22
GN 114.3-8-35	8	35	2.8	1	10 _{+0.5}	7.9	15	30	8.4	21	35	23
GN 114.3-8-40	8	40	2.8	1	10 _{+0.5}	7.9	15	30	8.4	21	35	24
GN 114.3-8-45	8	45	2.8	1	10 _{+0.5}	7.9	15	30	8.4	21	35	26
GN 114.3-8-50	8	50	2.8	1	10 _{+0.5}	7.9	15	30	8.4	21	35	28
GN 114.3-10-20	10	20	3.3	1	12 ₊₁	9.9	18	34	9.8	26	47	27
GN 114.3-10-25	10	25	3.3	1	12 ₊₁	9.9	18	34	9.8	26	47	40
GN 114.3-10-30	10	30	3.3	1	12 ₊₁	9.9	18	34	9.8	26	47	31
GN 114.3-10-35	10	35	3.3	1	12 ₊₁	9.9	18	34	9.8	26	47	35
GN 114.3-10-40	10	40	3.3	1	12 ₊₁	9.9	18	34	9.8	26	47	37

GN 114.3-10-45	10	45	3.3	1	12 ₊₁	9.9	18	34	9.8	26	47	39
GN 114.3-10-50	10	50	3.3	1	12 ₊₁	9.9	18	34	9.8	26	47	42
GN 114.3-10-60	10	60	3.3	1	12 ₊₁	9.9	18	34	9.8	26	47	46
GN 114.3-12-25	12	25	3.8	1	14 ₊₁	11.9	18	34	11.3	26	75	38
GN 114.3-12-30	12	30	3.8	1	12 ₊₁	11.9	18	34	11.3	26	75	39
GN 114.3-12-35	12	35	3.8	1	12 ₊₁	11.9	18	34	11.3	26	75	43
GN 114.3-12-40	12	40	3.8	1	12 ₊₁	11.9	18	34	11.3	26	75	46
GN 114.3-12-45	12	45	3.8	1	14 ₊₁	11.9	18	34	11.3	26	75	50
GN 114.3-12-50	12	50	3.8	1	14 ₊₁	11.9	18	34	11.3	26	75	53
GN 114.3-12-60	12	60	3.8	1	14 ₊₁	11.9	18	34	11.3	26	75	62
GN 114.3-12-70	12	70	3.8	1	14 ₊₁	11.9	18	34	11.3	26	75	72
GN 114.3-12-80	12	80	3.8	1	14 ₊₁	11.9	18	34	11.3	26	75	79
GN 114.3-16-30	16	30	4.8	1.2	19 ₊₁	15.9	22	40	14.2	32	138	80
GN 114.3-16-35	16	35	4.8	1.2	19 ₊₁	15.9	22	40	14.2	32	138	85
GN 114.3-16-40	16	40	4.8	1.2	19 ₊₁	15.9	22	40	14.2	32	138	95
GN 114.3-16-45	16	45	4.8	1.2	19 ₊₁	15.9	22	40	14.2	32	138	100
GN 114.3-16-50	16	50	4.8	1.2	19 ₊₁	15.9	22	40	14.2	32	138	110
GN 114.3-16-60	16	60	4.8	1.2	19 ₊₁	15.9	22	40	14.2	32	138	120
GN 114.3-16-70	16	70	4.8	1.2	19 ₊₁	15.9	22	40	14.2	32	138	133
GN 114.3-16-80	16	80	4.8	1.2	19 ₊₁	15.9	22	40	14.2	32	138	140
GN 114.3-20-30	20	30	4.8	1.2	23 ₊₁	19.8	25	40	14.8	33	228	120
GN 114.3-20-35	20	35	4.8	1.2	23 ₊₁	19.8	25	40	14.8	33	228	130
GN 114.3-20-40	20	40	4.8	1.2	23 ₊₁	19.8	25	40	14.8	33	228	140
GN 114.3-20-45	20	45	4.8	1.2	23 ₊₁	19.8	25	40	14.8	33	228	150
GN 114.3-20-50	20	50	4.8	1.2	23 ₊₁	19.8	25	40	14.8	33	228	160
GN 114.3-20-60	20	60	4.8	1.2	23 ₊₁	19.8	25	40	14.8	33	228	185
GN 114.3-20-70	20	70	4.8	1.2	23 ₊₁	19.8	25	40	14.8	33	228	210
GN 114.3-20-80	20	80	4.8	1.2	23 ₊₁	19.8	25	40	14.8	33	228	230



STANDARD MACHINE ELEMENTS WORLDWIDE